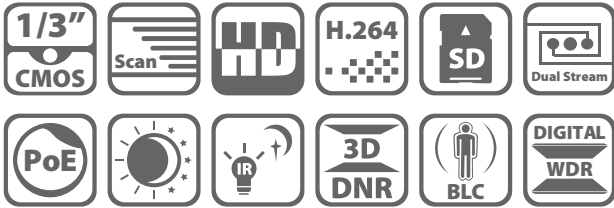


DS-2CD2722F-I (S) (2.0MP)

DS-2CD2732F-I (S) (3.0MP)

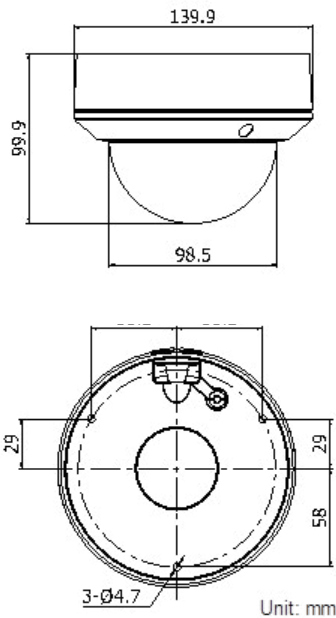
VF IR Dome Network Camera



Key features

- 2MP / 3MP high resolution
- HD real-time video
- IR LEDs: up to 30m
- DWDR & 3D DNR & BLC
- Onboard storage (up to 64GB)
- (-S) Audio I/O, Alarm I/O
- IP66
- Vandal-proof

Dimensions



Available models

DS-2CD2722F-I, DS-2CD2722F-IS

DS-2CD2732F-I, DS-2CD2732F-IS

* 1.3MP model is also available -- DS-2CD2712F-I(S)

* -S: Audio I/O interface

Alarm I/O interface.

	DS-2CD2722F-I (S)	DS-2CD2732F-I (S)
Camera		
Image sensor	1/3" progressive scan CMOS	
Min. illumination	0.01 lux @F1.2, AGC ON, 0.014 lux @F1.4, AGC ON, 0 lux with IR	0.07 lux @F1.2, AGC ON, 0.1 lux @F1.4, AGC ON, 0 lux with IR
Shutter time	1/3s ~ 1/100,100s	
Lens	2.8 ~ 12 mm @F1.4, angle of view: 105.2°~31.9°	2.8 ~ 12 mm @F1.4, angle of view: 91.2°~28.3°
Lens mount	Ø14	
Auto iris	DC drive	
Day & night	ICR	
Digital noise reduction	3D DNR	
Wide dynamic range	Digital WDR	
Backlight compensation	Yes, zone configurable	
Angle adjustment	Pan: 0° ~ 355°, tile: 0° ~ 75°, rotation: 0° ~ 355°	
Compression Standard		
Video compression	H.264 / MJPEG	
H.264 codec profile	Main profile	
Bit rate	32 Kbps ~ 16 Mbps	
Audio compression (-S)	G.711 / G.726	
Audio bit rate (-S)	64 Kbps (G.711) / 16 Kbps (G.726)	
Image		
Max. Image Resolution	1920 x 1080	2048 x 1536
Frame rate	50Hz: 25fps (1920 x 1080), 25fps (1280 x 720) 60Hz: 30fps (1920 x 1080), 30fps (1280 x 720)	50Hz: 20fps (2048 x 1536), 25fps (1920 x 1080), 25fps (1280 x 720) 60Hz: 20fps (2048 x 1536), 30fps (1920 x 1080), 30fps (1280 x 720)
Image settings	Saturation, brightness, contrast, sharpness adjustable through client software or web browser	
Network		
Network storage	NAS	
Alarm trigger	Motion detection, line crossing detection, tampering alarm, scene change detection, face detection, intrusion detection	
Protocols	TCP/IP, ICMP, HTTP, HTTPS, FTP, DHCP, DNS, DDNS, RTP, RTSP, RTCP, PPPoE, NTP, UPnP, SMTP, SNMP, IGMP, 802.1X, QoS, IPv6, Bonjour	
System compatibility	ONVIF, PSIA, CGI	
General functionalities	User authentication, watermark, dual stream	
Interface		
Communication interface	1 RJ45 10 M / 100 M Ethernet interface	
Onboard storage	Built-in Micro SD / SDHC / SDXC card slot, up to 64 GB	
General		
Operating conditions	-30 °C ~ 60 °C (-22°F ~ 140 °F) humidity 95% or less (non-condensing)	
Power supply	12 VDC ± 10%, PoE (802.3af)	
Power consumption	Max. 5.5W (max. 7W with ICR on)	
Impact protection	IEC60068-2-75Eh, 50J; EN50102, up to IK10	
Ingress protection level	IP66	
IR range	Up to 30m	
Dimensions	Ø 140 x 99.9 mm	
Weight	1000g	