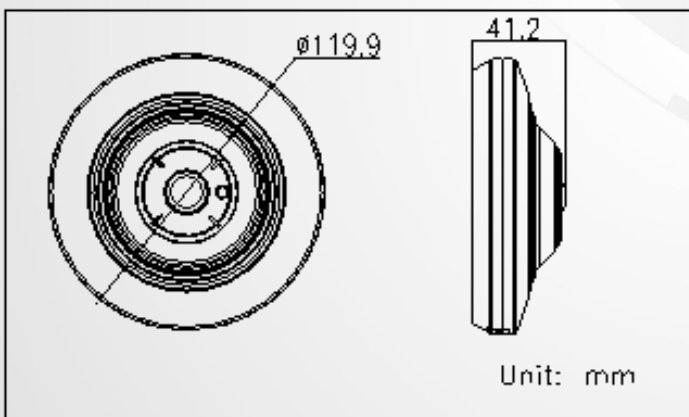


## DS-2CD2942F-(I)(W)(S) 4 MP Compact Fisheye Network Camera



- 1/3" Progressive Scan CMOS
- Up to 4 megapixel resolution
- Fisheye & PTZ view
- 3D DNR
- -I: IR range approx. 8 meters
- -W: Support Wi-Fi, support WPS configuration with one touch
- -S: audio & alarm I/O
- Support 128G on-board storage
- 12 VDC  $\pm$  10% / PoE



### Accessories



DS-2CD1294ZJ  
Wall mount



# DS-2CD2942F-(I)(W)(S)

## 4 MP Compact Fisheye Network Camera



### Specification

<b>Camera</b>	
Image Sensor	1/3" Progressive Scan CMOS
Min. Illumination	Color: 0.01lux @(F1.2, AGC ON), 0.018lux @(F1.6, AGC ON), 0 lux with IR
Shutter Speed	1/3 s ~ 1/100,000 s
Slow Shutter	Support
Lens	1.6mm, F1.6 Angle of view: 186°(horizontal), 106°(vertical)
Lens Mount	M12
Day & Night	Electronic (-I: ICR)
<b>Compression Standard</b>	
Video Compression	H.264/MJPEG
H.264 Type	Baseline Profile / Main Profile
Video Bit Rate	32 Kbps – 8 Mbps
Audio Compression (-S)	G.711/G.722.1/G.726/MP2L2
Audio Bit Rate (-S)	64Kbps(G.711) / 16Kbps(G.722.1) / 16Kbps(G.726) / 32-128Kbps(MP2L2)
<b>Image</b>	
Max. Resolution	2560 × 1440
Frame Rate	50Hz: 12.5fps(2560 × 1440), 25fps(1920 × 1080, 1280 × 720) 60Hz: 15fps(2560 × 1440), 30fps(1920 × 1080, 1280 × 720)
Image Enhancement	BLC/3D DNR/ROI/Defog
Image Setting	Saturation, Brightness, Contrast, Hue, Sharpness, AGC, White Balance
Day/Night Switch	Auto/Schedule/Triggered by Alarm In
<b>Network</b>	
Network Storage	NAS (Support NFS,SMB/CIFS), Built-in Micro SD/SDHC/SDXC card slot, up to 128 GB
Alarm Trigger	Line Crossing, Intrusion detection, Motion detection, Dynamic analysis, Tampering alarm, Network disconnect, IP address conflict, Storage exception
Protocols	TCP/IP, UDP, ICMP, HTTP, HTTPS, FTP, DHCP, DNS, DDNS, RTP, RTSP, RTCP, PPPoE, NTP, UPnP, SMTP, SNMP, IGMP, 802.1X, QoS, IPv6, Bonjour
Security	User Authentication, Watermark, IP address filtering, Anonymous access
Standard	ONVIF(PROFILE S,PROFILE G),PSIA,CGI,ISAPI
<b>General</b>	
Operating Conditions	-10 °C – 40 °C (14 °F – 104 °F), Humidity 95% or less (non-condensing)
Power Supply	12 VDC ± 10% / PoE (802.3af)
Power Consumption	Max. 5.55 W
IR Distance	-I: 8m
Dimensions	ø119.9 x 41.2(ø4.72" × 1.62")
Weight	600 g (1.32 lbs)
<b>Order Model</b>	
DS-2CD2942F-(I)(W)(S)	