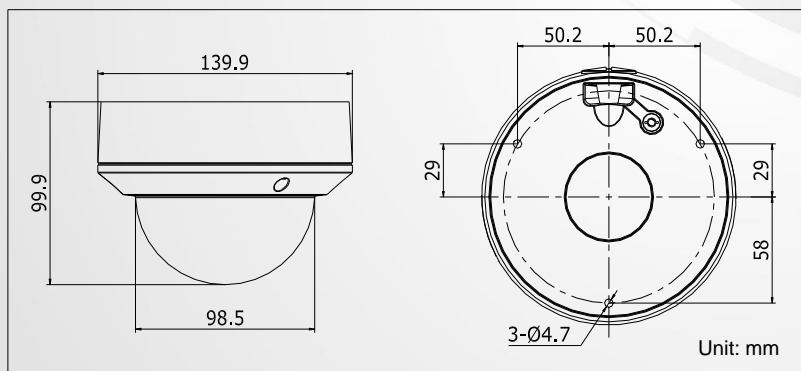


## DS-2CD2722FWD-I(Z)(S) 2MP WDR Vari-focal Dome Network Camera



- 1/2.8" Progressive Scan CMOS
- Up to 2 megapixel resolution
- 120dB WDR
- 3D DNR
- Motorized lens 2.8-12mm (-Z)
- Up to 30 meters IR range
- Built-in Micro SD/SDHC/SDXC card slot, up to 128 GB
- Audio/alarm I/O (-S)
- Mobile Monitoring via Hik-Connect
- 12V DC±25% & PoE(802.3af Class 3)
- Support H.264+
- IP67
- IK10

### Accessories



DS-1227ZJ  
In-ceiling mount



DS-1273ZJ-135  
Wall mount



DS-1273ZJ-135B  
Wall mount with Junction box



DS-1280ZJ-DM21  
Junction box



# DS-2CD2722FWD-I(Z)(S) 2MP WDR Vari-focal Dome Network Camera



## Specification

### Camera

Image Sensor	1/2.8" Progressive Scan CMOS
Min. Illumination	0.01Lux @(F1.2,AGC ON), 0.014 Lux @(F1.4,AGC ON), 0 Lux with IR
Shutter Speed	1/3 s ~ 1/100,000 s
Slow Shutter	Support
Lens	2.8 - 12 mm @ F1.4, motorized lens (-Z), angle of view: 106°~35°
Angle Adjustment	Pan:0° - 355°, Tilt: 0° - 75°, Rotation: 0° - 355°
Lens Mount	Φ14
Day & Night	IR cut filter with auto switch
WDR	120dB

### Compression

Video Compression	H.264/MJPEG/H.264+
H.264 Type	Main Profile
Video Bit Rate	32 Kbps – 16 Mbps
Audio (-S)	G.711/G.722.1/G.726/MP2L2, 64Kbps(G.711) / 16Kbps(G.722.1) / 16Kbps(G.726) / 32-128Kbps(MP2L2)

### Image

Max. Resolution	1920 × 1080
Max Frame Rate	50Hz: Main stream: 25fps(1920 × 1080, 1280 × 960, 1280 × 720); Sub stream: 25fps(352×288), 25fps(640×360) 60Hz: Main stream: 30fps (1920 × 1080, 1280 × 960, 1280 × 720); Sub stream: 30fps(352×240), 30fps(640×360)
Enhancement	BLC/3D DNR/ROI
Image Setting	Rotate Mode, Saturation, Brightness, Contrast, Sharpness adjustable by client software or web browser
Day/Night Switch	Auto/Schedule/Triggered by Alarm In

### Network

Network Storage	NAS (Support NFS,SMB/CIFS); ANR, Built-in Micro SD/SDHC/SDXC card slot, up to 128 GB
Detection	Intrusion detection, Line crossing detection, Motion detection, Dynamic analysis
Face Detection	Detects the face appears in the surveillance scene and triggers linkage methods such as alarm info and email info
Alarm Trigger	Tampering alarm, Network disconnect, IP address conflict, Storage exception
Protocols	TCP/IP, UDP, ICMP, HTTP, HTTPS, FTP, DHCP, DNS, DDNS, RTP, RTSP, RTCP, PPPoE, NTP, UPnP, SMTP, SNMP, IGMP, 802.1X, QoS, IPv6, Bonjour
General Function	One-key reset, Anti-flicker, heartbeat, mirror, password protection, privacy mask, watermark, IP address filtering, anonymous access
Standard	ONVIF (PROFILE S, PROFILE G), ISAPI

### General

Interface	1 RJ45 10M/100M Ethernet interface, 1Vp-p composite output (75 Ω/BNC)
Operating Conditions	-30 °C – 60 °C (-22 °F – 140 °F), Humidity 95% or less (non-condensing)
Power Supply	12V DC±25%, PoE (802.3af, Class 3), Max. 5.5 W
Material	Front Cover & Base: Metal
Ingress Protection	IP67
Impact Protection	IEC60068-275Eh, 20J; EN50102, up to IK10
IR Range	20~30 meters
Dimensions	Φ 140 × 99.9 mm (Φ 5.51" × 3.94")
Weight	1000g (2.20lbs)

### Order Model

DS-2CD2722FWD-I, DS-2CD2722FWD-IS, DS-2CD2722FWD-IZ, DS-2CD2722FWD-IZS