

## THC-T320-VF 2 MP EXIR VF Turret Camera



### Key Features

- 2 MP high-performance CMOS
- 1920 × 1080 resolution
- 2.8 mm to 12 mm vari-focal lens
- Day/Night switch
- EXIR 2.0, smart IR, up to 40 m IR distance
- IP66

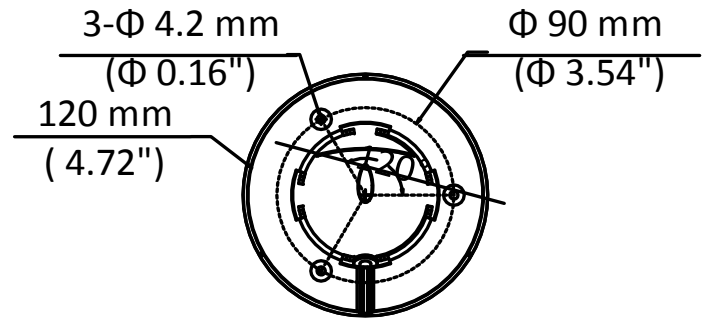
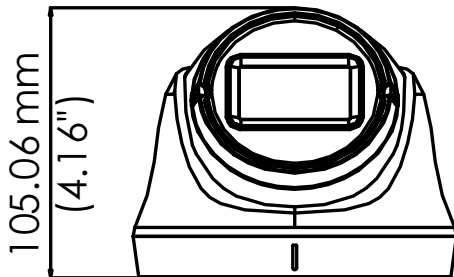
## Specifications

<b>Camera</b>	
Image Sensor	2 MP CMOS image sensor
Signal System	PAL/NTSC
Resolution	1920 (H) × 1080 (V)
Min. Illumination	0.01 Lux@(F1.2, AGC ON), 0 Lux with IR
Shutter Time	1/25 (1/30) s to 1/50,000 s
Lens	2.8 mm to 12 mm
Horizontal Field of View	111.5° to 33.4°
Lens Mount	Φ14
Day & Night	IR cut filter
Angle Adjustment	Pan: 0° to 360°, Tilt: 0° to 75°, Rotation: 0° to 360°
Synchronization	Internal synchronization
Video Frame Rate	PAL:1080p@25fps NTSC: 1080p@30fps
WDR (Wide Dynamic Range)	105 dB
<b>Menu</b>	
AGC	High/Middle/Low/Off
D/N Mode	Auto/Color/BW (Black and White)
BLC	Support
DWDR	Support
Language	English
Functions	Brightness, Sharpness, DNR, Mirror, Smart IR
<b>Interface</b>	
Video Output	1 HD analog output
Switch Button	TVI/AHD/CVI/CVBS
<b>General</b>	
Operating Conditions	-40 °C to 60 °C (-40 °F to 140 °F), Humidity: 90% or less (non-condensation)
Power Supply	12 VDC ± 15%
Power Consumption	Max. 4.8 W
Protection Level	IP66
Material	Enclosure: Plastic Main Body: Metal
IR Range	Up to 40 m
Dimensions	Φ 120 mm × 105.06 mm (Φ 4.72" × 4.16")
Weight	450 g (0.99 lb.)

## Order Model

THC-T320-VF

## Dimension



## Accessories



DS-1273ZJ-130-TRL  
Wall mount



DS-1271ZJ-130-TRL  
Pendant mount



DS-1275ZJ  
Vertical pole mount



DS-1276ZJ  
Corner mount



DS-1280ZJ-TR6  
Junction box



DS-1280ZJ-M  
Junction box



DS-1281ZJ-M  
Inclined ceiling mount