

IPC-T120-D 2.0 MP CMOS Network Turret Camera



Key Features

- 1/2.8" progressive scan CMOS
- Up to 2.0 megapixel
- 2.8 mm/4 mm/6 mm fixed focal lens
- 10 m IR range
- Dual stream
- Digital Wide Dynamic Range
- 3D DNR (Digital Noise Reduction)
- Mobile monitoring via mobile application

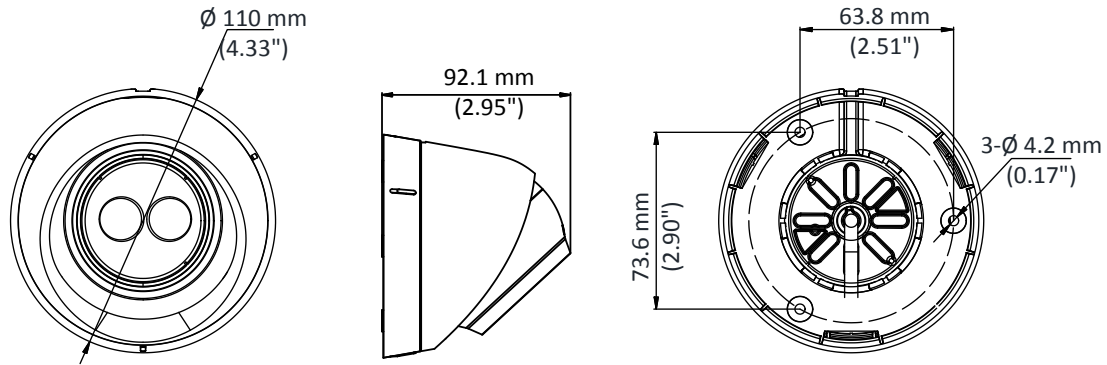
Specifications

| Camera | |
|--------------------------------|--|
| Image Sensor | 1/2.8" Progressive Scan CMOS |
| Min. Illumination | 0.01Lux @(F1.2,AGC ON), 0 Lux with IR; 0.028 Lux @(F2.0,AGC ON), 0 Lux with IR |
| Shutter Speed | 1/3 s to 1/100,000 s, support slow shutter |
| Lens | 2.8 mm, horizontal field of view: 105.8° (4 mm: 83°, 6 mm: 55°optional) |
| Lens Mount | M12 |
| Day &Night | IR cut filter with auto switch |
| 3-Axis Adjustment | Pan: 0° to 360°, tilt: 0° to 75°, rotation: 0° to 360° |
| DNR (Digital Noise Reduction) | 3D DNR |
| WDR (Wide Dynamic Range) | Digital WDR |
| Compression Standard | |
| Video Compression | Main stream: H.264+/H.264 Sub stream: H.264/MJPEG |
| H.264 Type | Baseline Profile/main profile |
| Video Bit Rate | 32 Kbps to 8 Mbps |
| Image | |
| Max. Resolution | 1920 × 1080 |
| Main Stream Max. Frame Rate | 50Hz: 25fps @(1920 × 1080, 1280 × 960, 1280 × 720) 60Hz: 30fps @(1920 × 1080, 1280 × 960, 1280 × 720) |
| Sub-stream Max. Frame Rate | 50Hz: 25fps @(704 × 576, 640 × 480, 352 × 288, 320 × 240) 60Hz: 30fps @(704 × 480, 640 × 480, 352 × 240, 320 × 240) |
| Image Settings | Brightness, saturation, contrast, sharpness are adjustable via web browser or client software |
| Day/Night Switch | Support auto, scheduled |
| Others | Mirror, BLC (area configurable), region of interest (support 1 fixed region) |
| Network | |
| Detections | Motion Detection |
| Alarms | Video tampering, network disconnected, IP address conflicted |
| Protocols | TCP/IP, ICMP, HTTP, HTTPS, FTP, DHCP, DNS, DDNS, RTP, RTSP, RTCP, NTP, UPnP, SMTP, IGMP, 802.1X, QoS, IPv6, Bonjour |
| Standard | ONVIF (PROFILE S, PROFILE G), CGI, ISAPI |
| General Function | Anti-flicker, heartbeat, mirror, password protection, privacy mask, watermark, IP address filter |
| Interface | |
| Communication Interface | 1 RJ45 10M/100M self-adaptive Ethernet port |
| General | |
| Operating Conditions | -10 °C to 40 °C (-14 °F to 104 °F), Humidity 95% or less (non-condensing) |
| Power Supply | 12 VDC ± 25% |
| Power Consumption | 12 VDC, 0.38 A, Max. 4.5 W |
| IR Range | 10 meters |
| Dimensions | ∅ 110 mm × 92.1 mm (∅ 4.33" × 3.19") |
| Weight | 190 g (0.4 lb.) |

Available Models

IPC-T120-D

Dimension



Accessory



DS-1272ZJ-110-TRS
Wall Mounting Bracket



DS-1275ZJ
Vertical Pole Mounting Bracket



DS-1280ZJ-XS
Inclined Base Mounting Bracket



DS-1276ZJ
Corner Mounting Bracket



DS-1281ZJ-S
Inclined Base Mounting
Bracket