

DS-7604NI-K1/4P NVR

Key Feature

- Up to 4-ch IP camera inputs
- H.265+/H.265/H.264+/H.264 video formats
- Up to 1-ch@8 MP/5-ch@1080p decoding capacity
- Up to 40 Mbps incoming bandwidth



Professional and Reliability

- H.265+ compression effectively reduces the storage space by up to 75%

HD Video Output

- Provide simultaneous HDMI and VGA outputs
- HDMI video output at up to 4K resolution

Storage and Playback

- 1 SATA interface for HDD connection (up to 8 TB capacity per HDD)
- Smart search/smart playback to improve the playback efficiency

Smart Function

- Support multiple VCA (Video Content Analytics) events
- Configurable special camera smart functions, such as VCA detection (motion, line crossing, intrusion, etc.), heat map, ANPR, and people counting

Network & Ethernet Access

- 4 independent PoE network interfaces
- 1 self-adaptive 10/100 Mbps Ethernet interface
- Hik-Connect for easy network management



Specification

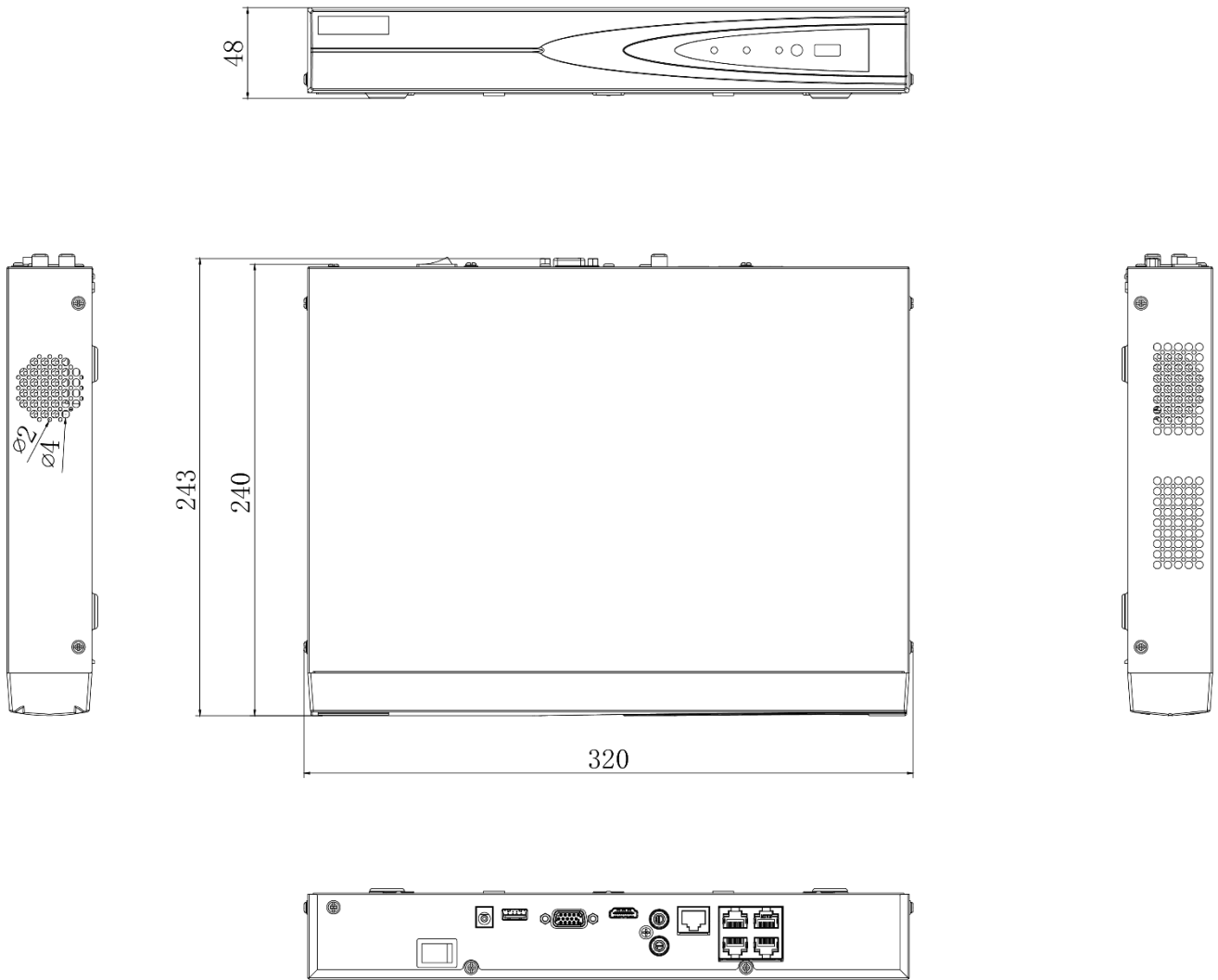
Model	DS-7604NI-K1/4P
Video and Audio	
IP video input	4-ch Up to 8 MP resolution
Incoming bandwidth	40 Mbps
Outgoing bandwidth	80 Mbps
HDMI output	1-ch, 4K (4096 x 2160)/30 Hz, 4K (3840 x 2160)/30 Hz, 2K (2560 x 1440)/60 Hz, 1920 x 1080/60 Hz, 1600 x 1200/60 Hz, 1280 x 1024/60 Hz, 1280 x 720/60 Hz
VGA output	1-ch, 1920 x 1080/60 Hz, 1280 x 1024/60 Hz, 1280 x 720/60 Hz
Video output mode	HDMI/VGA simultaneous output
CVBS output	N/A
Audio output	1-ch, RCA (Linear, 1 K Ω)
Two-way audio input	1-ch, RCA (2.0 Vp-p, 1 K Ω , using the audio input)
Decoding	
Decoding format	H.265+/H.265/H.264+/H.264
Recording resolution	8 MP/6 MP/5 MP/4 MP/3 MP/1080p/UXGA/720p/VGA /4CIF/DCIF/2CIF/CIF/QCIF
Synchronous playback	4-ch
Capability	1-ch@8 MP (30 fps)/5-ch@1080p (30 fps)
Stream type	Video, Video & Audio
Audio compression	G.711ulaw/G.711alaw/G.722/G.726
Network	
Remote connection	16
Network protocol	TCP/IP, DHCP, IPv4, IPv6, DNS, DDNS, NTP, RTSP, SADP, SMTP, SNMP, NFS, iSCSI, ISUP, UPnP™, HTTP, HTTPS
Network interface	1, RJ-45 10/100 Mbps self-adaptive Ethernet interface
PoE	
Interface	4, RJ-45 10/100 Mbps self-adaptive Ethernet interface
Power	≤ 50 W
Supported standard	IEEE 802.3 af/at
Auxiliary Interface	
SATA	1 SATA interface
Capacity	Up to 8 TB capacity for each disk
Alarm in/out¹	N/A (4/1 is optional)
USB interface	Front panel: 1 x USB 2.0; Rear panel: 1 x USB 2.0
General	
Power supply	48 VDC, 1.35 A
Consumption (without HDD and PoE off)	≤ 10 W
Working temperature	-10 °C to 55 °C (14 °F to 131 °F)
Working humidity	10% to 90%
Dimension (W x D x H)	320 x 240 x 48 mm (12.6" x 9.4" x 1.9")
Weight (without HDD)	≤ 1 kg (2.2 lb)
Certification	

FCC	Part 15 Subpart B, ANSI C63.4-2014
CE	EN 55032: 2015, EN 61000-3-2, EN 61000-3-3, EN 50130-4, EN 55035: 2017

Note:

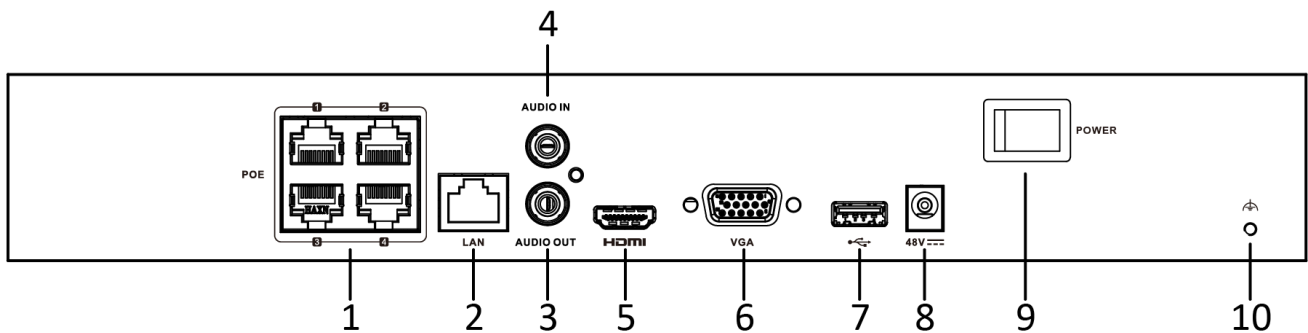
1: Alarm in/out can be optional for certain models. If you select a device model with "/ALARM", then the device will have 4 alarm inputs and 1 alarm output.

Dimension



scale/1:1;Unit/mm

Physical Interface



No.	Description	No.	Description
1	PoE Interfaces	6	VGA Output (DB9 Connector)
2	LAN Interface	7	USB Interface
3	AUDIO OUT	8	Power Supply
4	AUDIO IN	9	Power Switch
5	HDMI Interface	10	GND

Available Model

DS-7604NI-K1/4P

Distributed by



HIKVISION®

Headquarters

No.555 Qianmo Road, Binjiang District,
Hangzhou 310051, China
T +86-571-8807-5998
overseasbusiness@hikvision.com

Hikvision USA
T +1-909-895-0400
sales.usa@hikvision.com

Hikvision Australia
T +61-2-8599-4233
salesau@hikvision.com

Hikvision India
T +91-22-28469900
sales@pramahikvision.com

Hikvision Canada
T +1-866-200-6690
sales.canada@hikvision.com

Hikvision Thailand
T +662-275-9949
sales.thailand@hikvision.com

Hikvision Europe
T +31-23-5542770
sales.eu@hikvision.com

Hikvision Italy
T +39-0438-6902
info.it@hikvision.com

Hikvision Brazil
T +55 11 3318-0050
Latam.support@hikvision.com

Hikvision Turkey
T +90 (216)521 7070- 7074
sales.tr@hikvision.com

Hikvision Malaysia
T +601-7652-2413
sales.my@hikvision.com

Hikvision UK & Ireland
T +01628-902140
sales.uk@hikvision.com

Hikvision South Africa
Tel: +27 (10) 0351172
sale.africa@hikvision.com

Hikvision France
T +33(0)1-85-330-450
info.fr@hikvision.com

Hikvision Kazakhstan
T +7-727-9730667
nikia.panfilov@hikvision.ru

Hikvision Vietnam
T +84-974270888
sales.vt@hikvision.com

Hikvision UAE
T +971-4-4432090
salesme@hikvision.com

Hikvision Singapore
T +65-6684-4718
sg@hikvision.com

Hikvision Spain
T +34-91-737-16-55
info.es@hikvision.com

Hikvision Tashkent
T +99-87-1238-9438
uzb@hikvision.ru

Hikvision Hong Kong
T +852-2151-1761
info.hk@hikvision.com

Hikvision Russia
T +7-495-669-67-99
saleru@hikvision.com

Hikvision Korea
T +82-(0)31-731-8817
sales.korea@hikvision.com

Hikvision Poland
T +48-22-460-01-50
info.pl@hikvision.com

Hikvision Indonesia
T +62-21-2933759
Sales.Indonesia@hikvision.com

Hikvision Colombia
sales.colombia@hikvision.com

04311072010811