

## DS-90xxHUHI-F8/N Series TurboHD DVR

### TurboHD™

- H.264+ and Dual-Stream Video Compression
- Hot-Swappable HDD Support for RAID 0, RAID 1, RAID 5, RAID 6, and RAID 10
- Full Channel Recording at up to 3 MP
- Full Channel 1080p Real-Time Recording
- HDMI1 and VGA Output up to 1920 x 1080
- HDMI2 Output up to 3840 x 2160
- Long Over-the-Coax Transmission Distance
- 8/16-ch Synchronous Playback



TurboHD DS-90xxHUHI-F8/N Series DVRs feature support of HD-TVI, CVBS and IP cameras on up to 16 channels. They offer long transmission distances and feature H.264+ compression technology, which improves recording efficiency and reduces data storage costs.

Additionally, the DS-90xxHUHI-F8/N Series DVRs support advanced analytics such as line crossing, intrusion, scene change detection, people counting, heat map functionality, and Video Quality Diagnostics (VQD).

#### Available Models:

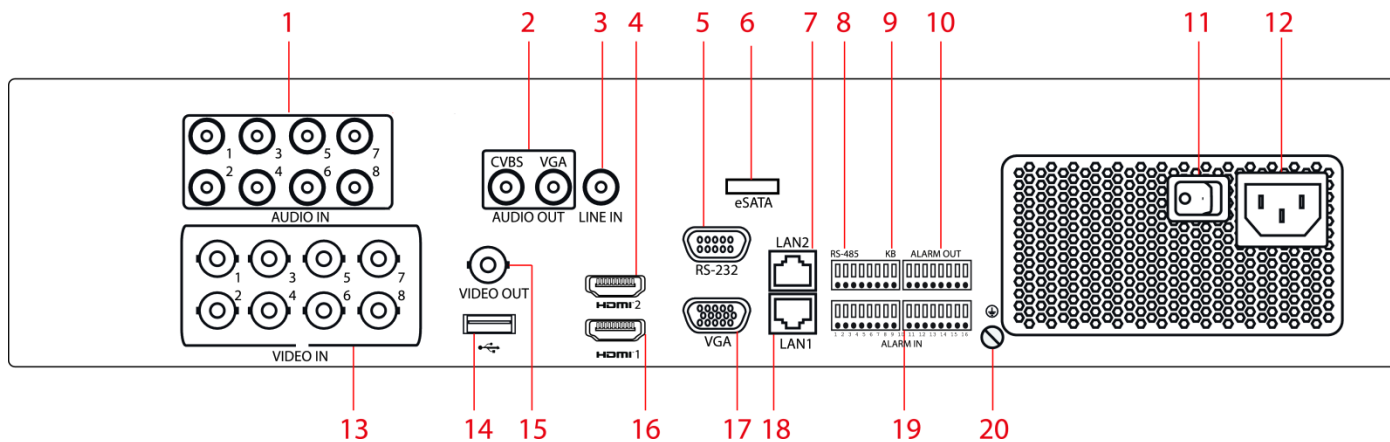
DS-9008HUHI-F8/N  
DS-9016HUHI-F4/N

## Specifications

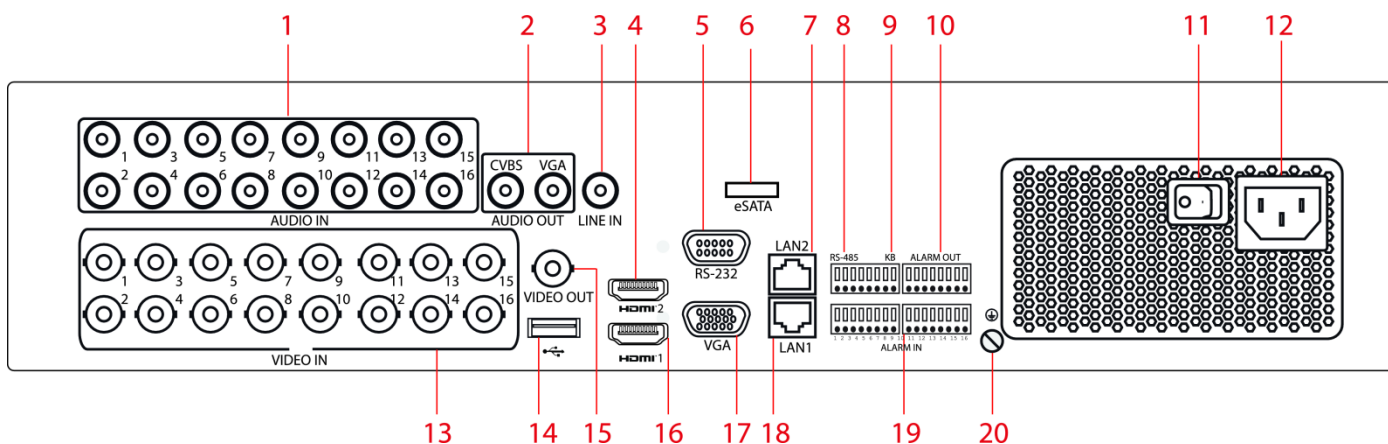
	DS-9008HUHI-F8/N	DS-9016HUHI-F8/N
<b>Video / Audio Input</b>		
Video Compression	H.264+ / H.264	
Analog Video Input	8-ch	16-ch
	BNC interface (1.0 Vp-p, 75 Ω), supporting UTC (Up-the-Coax) connection	
HD-TVI Input	3 MP, 1080p25, 1080p30, 720p25, 720p30, 720p50, 720p60	
AHD Input	1080p25, 1080p30, 720p25, 720p30	
CVBS Input	Supported	
IP Video Input	10-ch (up to 18-ch)	18-ch (up to 32-ch)
	Up to 8 MP resolution	
	H.265 / H.264+ / H.264	
Network Bandwidth	260 Mbps	320 Mbps
Audio Compression	G.711u	
Audio Input	8-ch, RCA (2.0 Vp-p, 1KΩ)	16-ch, (RCA (2.0 Vp-p, 1KΩ))
<b>Video / Audio Output</b>		
CVBS Output	1-ch, BNC (1.0 Vp-p, 75 Ω), resolution: PAL: 704 × 576, NTSC: 704 × 480	
HDMI1 / VGA Output	1-ch, 1920 × 1080 / 60 Hz, 1280 × 1024 / 60 Hz, 1280 × 720 / 60 Hz, 1024 × 768 / 60 Hz	
HDMI2 / VGA Output	1-ch, 4 K (3840 × 2160) / 30 Hz, 2 K (2560 × 1440) / 60 Hz, 1920 × 1080 / 60 Hz, 1280 × 1024 / 60 Hz, 1280 × 720 / 60 Hz, 1024 × 768 / 60 Hz	
Encoding Resolution	3 MP / 1080p / 720p / WD1 / 4CIF / VGA / CIF	
Frame Rate	Main stream: 3 MP@15 fps;1080p / 720p / WD1 / 4CIF / VGA / CIF@ 25 fps (P) / 30 fps (N) Sub-stream: WD1 / 4CIF @ 12 fps; CIF / QVGA / QCIF @ 25 fps (P) / 30 fps (N)	
Video Bit Rate	32 Kbps to 10 Mbps	
Audio Output	2-ch (CVBS and VGA), RCA (Linear, 1 kΩ)	
Audio Bit Rate	64 Kbps	
Dual-Stream	Supported	
Stream Type	Video, video and audio	
Synchronous Playback	8-ch	16-ch
<b>Network Management</b>		
Remote Connections	128	
Network Protocols	TCP/IP, PPPoE, DHCP, Hik Cloud P2P, DNS, DDNS, NTP, SADP, NFS, iSCSI, UPnP™, HTTPS, ONVIF,SNMP	
<b>Hard Disk</b>		
SATA	8 SATA interfaces	
eSATA	Supported	
Capacity	Up to 6 TB capacity for each disk	
<b>Disk Array</b>		
Array Type	RAID 0, RAID 1, RAID 5, RAID 6, RAID 10	
<b>External Interface</b>		
Two-Way Audio Input	1-ch, RCA (2.0 Vp-p, 1 KΩ) (using the first audio input)	
Network Interface	2, RJ45 10M/100M/1000M self-adaptive Ethernet interface	
Serial Interface	RS-485 (half-duplex), RS-485 (full-duplex), keyboard	
Alarm In / Out	16 / 4	
USB Interface	Front panel: 2 × USB 2.0; rear panel: 1 × USB 3.0	
<b>General</b>		
Power Supply	100 to 240 VAC	
Consumption (without HDD)	≤ 45 W	≤ 65 W
Working Temperature	14° F to 131° F (-10° C to 55° C)	
Working Humidity	10 to 90 % non-condensing	
Dimensions (W x D x H)	17.5" × 18.5" × 3.5" (445 mm x 470 mm x 90 mm)	
Weight (without HDD)	≤17.6 lbs (8 kg)	

# Rear Panel

1. AUDIO IN	11. Power Switch
2. CVBS AUDIO OUT and VGA AUDIO OUT	12. 100 to 240 VAC Power Input
3. LINE IN	13. VIDEO IN
4. HDMI2 Interface	14. USB Port
5. RS-232 Serial Interface	15. VIDEO OUT
6. eSATA Interface	16. HDMI1 Interface
7. LAN2 Network Interface	17. VGA Port
8. RS-485 Serial Interface	18. LAN1 Network Interface
9. Keyboard Interface	19. ALARM IN
10. ALARM OUT	20. GND



DS-9008HUHI-F8/N



DS-9016HUHI-F8/N