

DS-2CD2363G0-I

6 MP Outdoor IR Network Turret Camera



- 1/2.9" (6 MP) Progressive Scan CMOS
- Up to 3072 x 2048 Resolution
- 2.8 mm and 4 mm Fixed Lens Options
- EXIR 2.0 Range Up to 100 ft (30 m)
- H.265+/H.265/H.264+/H.264
- 120 dB True WDR
- IP67 Protection
- Durable Metal Housing
- 12 VDC \pm 25% (PoE 802.3af), maximum 7.5 W

The Hikvision DS-2CD2363G0-I Outdoor IR Turret Camera provides high definition network output. It supports H.265+ video compression technology, which assures savings in bandwidth and storage.

The camera has an EXIR 2.0 range of up to 100 feet (30 meters).

The 2.8 mm and 4 mm lens options are optimized for viewing angles that fit any situation.

Available models:






DS-2CD2363G0-I: 2.8 mm or 4 mm lens



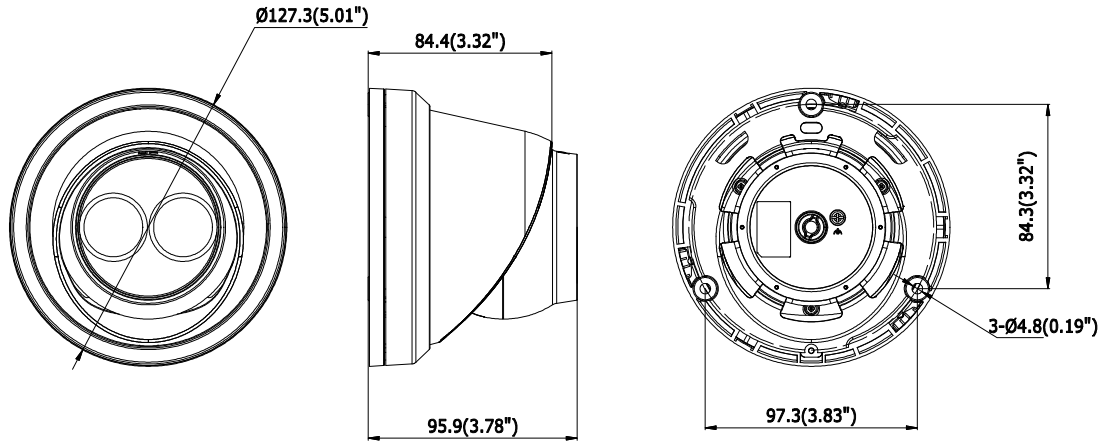
Specifications

DS-2CD236360-I	
Camera	
Image Sensor	1/2.9" (6 MP) progressive scan CMOS
Minimum Illumination	Color: 0.028 lux @ (f/2.0, AGC on), 0 lux with IR
Shutter Speed	1/3 s to 1/100,000 s
Slow Shutter	Yes
Auto-Iris	No
Day/Night	IR cut filter
Digital Noise Reduction	3D DNR
WDR	120 dB
Angle Adjustment (Bracket)	Pan: 0° to 360°, tilt: 0° to 75°, rotation: 0° to 360°
Lens	
Focal Length	2.8 mm or 4 mm
Aperture	f/2.0
Focus	Manual
FOV	2.8 mm, horizontal FOV 103°, vertical FOV 58°, diagonal FOV 123° 4 mm, horizontal FOV 83°, vertical FOV 45°, diagonal FOV 99°
Lens Mount	M12
IR	
IR Range	Up to 100 ft (30 m)
Wavelength	850 nm
Compression Standard	
Video Compression	Main stream: H.265+/H.265/H.264+/H.264; sub-stream: H.265+/H.265/H.264+/H.264/MJPEG; third stream: H.265+/H.265/H.264+/H.264
H.264 Type	Main profile/high profile
H.264+	Main stream and sub-stream support
H.265 Type	Main profile
H.265+	Main stream and sub-stream support
Video Bit Rate	256 Kbps to 16 Mbps
Smart Features	
Behavior Analysis	Line crossing detection, intrusion detection
Face Detection	Yes
Region of Interest	One fixed region for main stream and sub-stream
Image	
Maximum Resolution	3072 × 2048
Main Stream	20 fps (3072 × 2048, 3072 × 1728, 2944 × 1656), 30 fps (2560 × 1440, 1920 × 1080, 1280 × 720)
Sub-Stream	30 fps (640 × 480, 640 × 360, 320 × 240)
Third Stream	30 fps (1280 × 720, 640 × 360, 352 × 240)
Image Enhancement	BLC, 3D DNR
Image Setting	Rotate mode, saturation, brightness, contrast, sharpness adjustable by client software or Web browser
Target Cropping	No
Day/Night Switch	Day/night/auto/schedule
Network	
Network Storage	Supports microSD/SDHC/SDXC card (128 GB), local storage, NAS (NFS, SMB/CIFS), and ANR
Alarm Trigger	Motion detection, video tampering, network disconnected, IP address conflict, illegal login, HDD full, HDD error
Protocols	TCP/IP, ICMP, HTTP, HTTPS, FTP, DHCP, DNS, DDNS, RTP, RTSP, RTCP, PPPoE, NTP, UPnP™, SMTP, SNMP, IGMP, 802.1x, QoS, IPv6, Bonjour
General Function	One-key reset, anti-flicker, three streams, heartbeat, mirror, password protection, privacy mask, watermark, IP address filter
API	ONVIF (PROFILE S, PROFILE G), ISAPI
Simultaneous Live View	Up to 6 channels
User/Host	Up to 32 users; three levels: administrator, operator, and user
Client	iVMS-4200, Hik-Connect
Web Browser	IE 8+, Chrome 31 to 44, Firefox 30.0 to 51, Safari 8.0+
Interface	
Communication Interface	1-port RJ-45 10M/100M self-adaptive Ethernet port
On-Board Storage	Built-in microSD/SDHC/SDXC slot, up to 128 GB
SVC	H.264 and H.265 encoding
Reset Button	Yes
General	
Operating Conditions	-22° to 122° F (-30° to 50° C); humidity: 95% or less (non-condensing)
Power Supply	12 VDC ±25%, Ø5.5 mm coaxial power plug; PoE (802.3af, class 3)
Power Consumption and Current	12 VDC, 0.5 A, maximum: 6 W; PoE (802.3af, 37 V to 57 V), 0.2 A to 0.1 A, maximum: 7.5 W
Protection Level	IP67, TVS 2000V lightning protection, surge protection, and voltage transient protection
Material	Metal
Dimensions	Ø5.0" × 3.8" (Ø127.3 mm × 95.9 mm)
Weight	1.30 lbs (610 g)

Accessories (not included)

				
WML + PC130T Wall Mount Long + 130 mm Pendant Cap	PM Pole Mount	CM Corner Mount	ABM Angled Base	CBM Conduit Base

Dimensions



Unit: mm (inch)